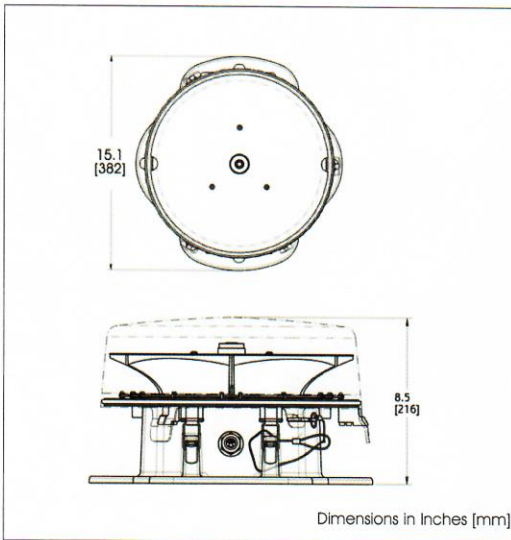




US Patents #7,208,881 #7,568,821 #7,604,380 #7,777,424

Vigilant® LED Based L-865 / L-864 Medium Intensity (White / Red) Strobe



Certifications & Ratings

- FAA AC 150/5345-43G
- IP 66

Qualified By

- Intertek ETL
- CSA



Compliant To

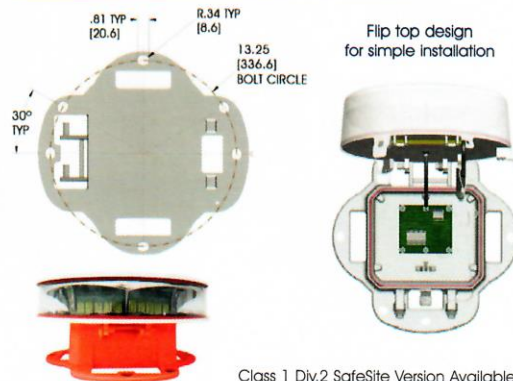
- Transport Canada CAR 621.19
- ICAO Annex 14
- DGAC Mexico

Application:

The all LED Dialight Vigilant® medium intensity White / Red strobe is designed for the lighting of communication towers, chimneys, smoke stacks, wind generators and other obstructions to aerial navigation. The Dual L-865 / L-864 uses LED technology for light output from both the White / Red strobe.

Unlike conventional Xenon flashtube technology, provides years of maintenance free service. Working voltages of less than 200V DC are significantly less than those of Xenon flashtube designs, therefore, this system represents an advance in safety. The Dialight Dual L-865 / L-864 LED beacon operates from a 48V DC supply.

Flash Head Weight:	21 lbs (9.5 kg)
Operating Voltage:	120-277V AC 50/60Hz or 48 VDC power factor corrected supply (see below for options)
Supply Voltage Ranges:	Nominal +/- 10%
Effective Intensity:	White Day 20,000 cd White Night 2,000 cd Red Night 2,000 cd
Flash Head Power:	White Day 36W (System=75w) White Night 4W (System=10w) Red Night 12W (System=25w)
Power Factor:	>0.9
Operating Temp:	-40°F to +131°F (-40°C to +55°C)
Synchronization:	Multiple unit sync from single controller



Part Number	Description	Voltage	Certification / Compliance
DIRW-C13-409SYS	Medium Intensity Dual (White/Red) AC system	120-277 VAC	FAA (TC) L-865/L-864
DIRW-C14-409SYS	Medium Intensity Dual (White/Red) DC system	48 VDC	FAA (TC) L-865/L-864