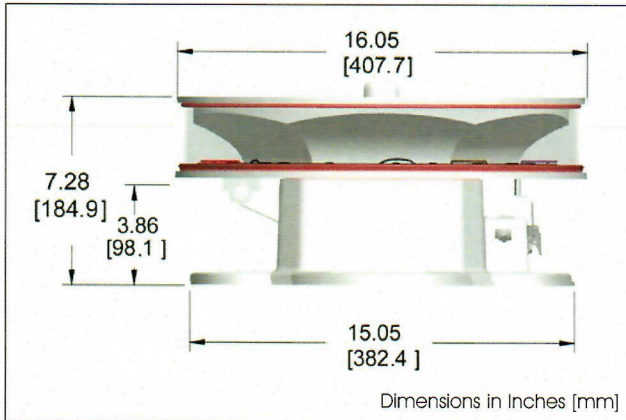


US Patents #7,208,881 #7,568,821 7,604,380 #7,777,424

Vigilant® LED Based L-864/L-865 Flashing Dual (White/Red) Strobe



Certifications & Ratings

- FAA Approved
(Check FAA Website for current certification)
- DGAC Mexico
- IP 66

Qualified By

- Intertek ETL
- CSA

Compliant to

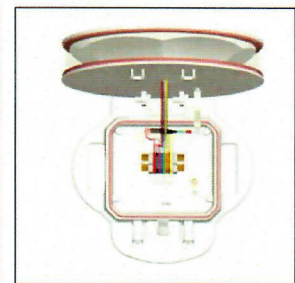
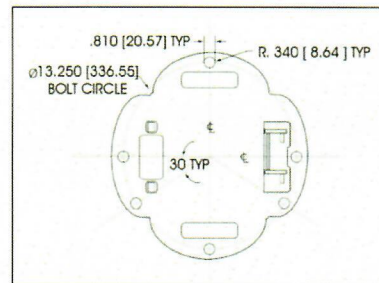
- Canadian Aviation Regulation CAR 621.19 (Transport Canada)

Application:

The all LED Dialight Vigilant® medium intensity white strobe and red beacon is designed for the lighting of communication towers, smoke stacks wind generators and other obstructions to aerial navigation, as specified by the FAA and FCC. The Dual L-864/L-865 uses LED technology for light output from both the red beacon and white strobe.

Unlike conventional Xenon flashtube technology, little or no maintenance is required during its lifetime. Working voltages of less than 200VDC are significantly less than those of Xenon flashtube designs; therefore, this system represents an advance in safety. The Dialight Dual L-864/L-865 LED beacon operates from a 48VDC supply. The power supply / control box can be located up to 550 ft away from the light engine, such as at the base of the tower.

Unit Weight:	26 lbs
Operating Voltage:	Universal 120-240 VAC 50/60Hz power factor corrected supply (See below for options)
Supply Voltage Ranges:	Nominal +/- 10%
Effective Intensity:	White Day 20,000 cd White Night 2,000 cd Red Night 2,000 cd
Wattage:	White Day 85W White Night 10W Red Night 25W
Power Factor:	>0.9
Operating Temp:	-40°F to +131°F (-40°C to +55°C)
Synchronization:	Multiple unit sync from single controller (Operates with other manufacturers of GPS sync devices)



Flip top design for simple installation

Order codes:

Part Number	Color	Description	Voltage	Certification / Compliance
D165-C13-008	White	OEM	48V DC	FAA L-865
D1RW-C13-008	Red / White	OEM	48V DC	FAA L-864 / L-865
D1RW-9004		Inverter	120-240V AC/ 48V DC	