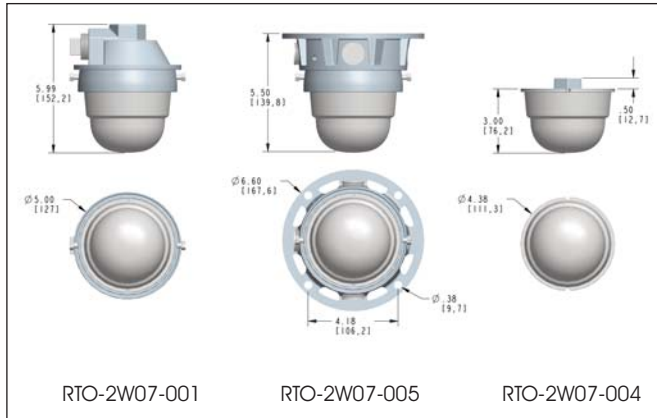




SafeSite® RTO SERIES LED WHITE DOWNLIGHT



Dimensions in Inches [mm]

Certifications & Ratings:

- ▷ Class I, Division 2, Groups A,B,C,D
Hazardous environments T3C rated
- ▷ UL844 / UL1598
- ▷ CSA C22.2 #250 / CSA C22.2 #137

Features & Benefits:

- ▷ Low power consumption
- ▷ Instant on/off response
- ▷ Weather/corrosion resistant lamp assembly and housing
- ▷ Universal input (120-240 VAC), 50/60 Hz
- ▷ Resistant to shock and vibration
- ▷ 5 year warranty
- ▷ 70% lumen maintenance after 60,000 operating hours

Order Codes:

RTO-2W07-001	Downlight - Pendant Mount w/ Junction Box
RTO-2W07-005	Downlight - Ceiling Mount w/ Junction Box
RTO-2W07-004	Downlight only - Pendant Mount

Application:

Dialight introduces the new state-of-the-art fixture SafeSite RTO Series White LED Downlight for hazardous location lighting. Whether your application is in a refinery, oil platform, chemical plant or any other hazardous area application, this fixture offers improved performance across the board.

All of Dialight's long life LED luminaires are designed to meet the most demanding specification criteria while offering maximum energy savings, reduced maintenance costs, and a superior quality of light.

Mechanical Information:

Container Dimensions: 7.60" x 5.25" x 5.75"
193.04mm x 133.35 mm x 146.05mm

Container Weight: 2 lbs (0.91 kg)

Mounting:
Pendant Mount (-001) - 1" & 3/4" NPT reducer bi-directional mounting
Ceiling Mount (-005) - 3/4" NPT 5-way surface mounting
Pendant Mount (-004) - with 3/4" NPT threaded conduit

Electrical specifications:

Operating Voltage: 120-240 VAC, 50/60 Hz

Power Consumption: 8 W (nom)

Operating Temp: -40°F to +133°F (-40°C to +55°C)

Surge / Lightning Protection:
1 kV line to line
2 kV line to ground

THD: < 20 %

Power Factor: > 0.9

Material:

Housing: Diecast powder coat aluminum base

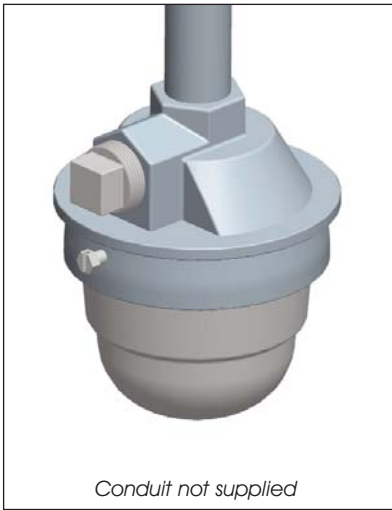
Lens: UV stabilized abrasion resistant polycarbonate

Photometric Information:

CRI: 70

CCT: 4600-5600K

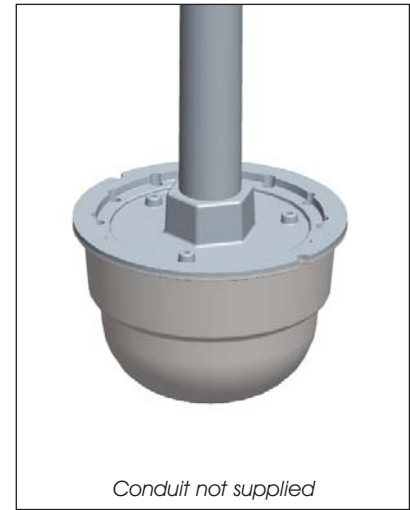
SafeSite® RTO Series LED White Downlight Mounting Options



**Pendant Mount Configuration
RTO-2W07-001
(w/ Junction Box)**



**Ceiling Mount Configuration
RTO-2W07-005
(w/ Junction Box)**



**Pendant Mount Configuration
RTO-2W07-004**

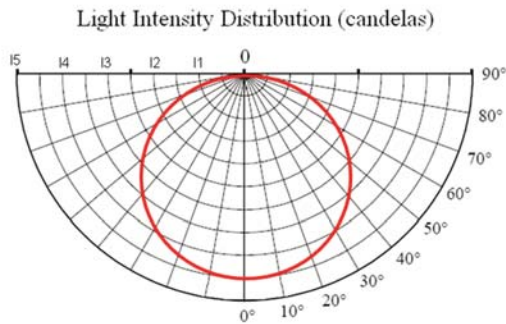
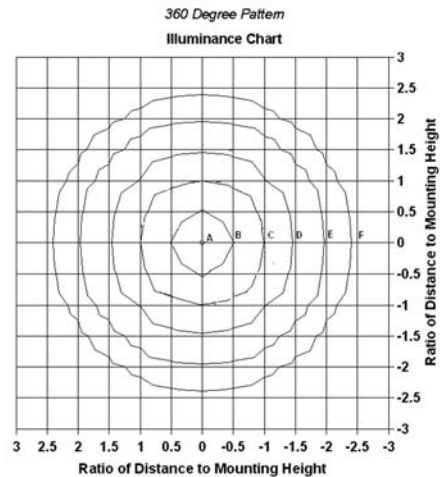
Light Measurement Data

Illuminance Values for High Light Level Conditions (Photopic Footcandles)

Mounting Height (ft)	Zones							
	A	B	C	D	E	F	G	H
2	52.80	36.80	17.60	8.00	3.20	1.60	0.00	0.00
4	13.20	9.20	4.40	2.00	0.80	0.40	0.00	0.00
6	5.87	4.09	1.96	0.89	0.36	0.18	0.00	0.00
8	3.30	2.30	1.10	0.50	0.20	0.10	0.00	0.00
10	2.11	1.47	0.70	0.32	0.13	0.06	0.00	0.00

Illuminance Values for Low Light Level Conditions (Scotopic Footcandles)

Mounting Height (ft)	Zones							
	A	B	C	D	E	F	G	H
2	120.4	83.9	40.1	18.2	7.3	3.6	0.0	0.0
4	30.1	21.0	10.0	4.6	1.8	0.9	0.0	0.0
6	13.4	9.3	4.5	2.0	0.8	0.4	0.0	0.0
8	7.5	5.2	2.5	1.1	0.5	0.2	0.0	0.0
10	4.8	3.4	1.6	0.7	0.3	0.1	0.0	0.0



**Intensity Values for High Light Level Conditions
(Photopic Candelas)**

10	11	12	13	14	15
0	50	100	150	200	250

700 Total Lumens for High Light Level Conditions (Photopic)

**Intensity Values for Low Light Level Conditions
(Scotopic Candelas)**

10	11	12	13	14	15
0	114	228	342	456	570

1596 Total Lumens for Low Light Level Conditions (Scotopic)

MDTFSSWRTOX001_A