



## SafeSite® Series LED Linear Fixture

### Certifications & Ratings:

- ▷ Class I, Div 1, Groups C, D
- ▷ UL1598A
- ▷ IP66 rated
- ▷ NEMA 4X

### Features & Benefits:

- ▷ Low power consumption
- ▷ Instant on/off operation
- ▷ Universal input (100-277 VAC), 50/60Hz
- ▷ Superior color rendition index compared to HPS, LPS, MV
- ▷ Mercury Free
- ▷ Resistant to shock and vibration
- ▷ Temperature compensation technology for longer life
- ▷ 70% lumen maintenance over 60,000 operating hours

Part Number	Length	Initial Fixture Lumens	Certification
LSC3C4D3GEX	2'	3,500	CI,D1
LSC3C4M3GEX	4'	7,000	CI,D1

### Application:

The first of its kind, the Dialight SafeSite Series LED linear luminaire was designed specifically to replace fluorescent lighting fixtures in industrial and hazardous location applications.

The SafeSite Linear fixture's rugged solid state design makes it highly resistant to shock and vibration, while its superior design allows for increased mounting versatility and ease of installation.

### Mechanical Information:

<b>Container Weight:</b>	22.5 lbs (9.98 kg) 4' 17.5 lbs (7.94 kg) 2'
<b>Mounting:</b>	(1) Threaded 3/4" NPT Side (2) Threaded 3/4" NPT Ends

### Electrical specifications:

<b>Operating Voltage:</b>	100-277VAC, 50/60 Hz
<b>Power Consumption:</b>	100W 4' version 50W 2' version
<b>Operating Temp:</b>	-40°F to +133°F (-40°C to +55°C)
<b>Harmonics:</b>	IEC 61000-3-2
<b>Surge / Lightning Protection:</b>	1 kV line to line 2 kV line to ground

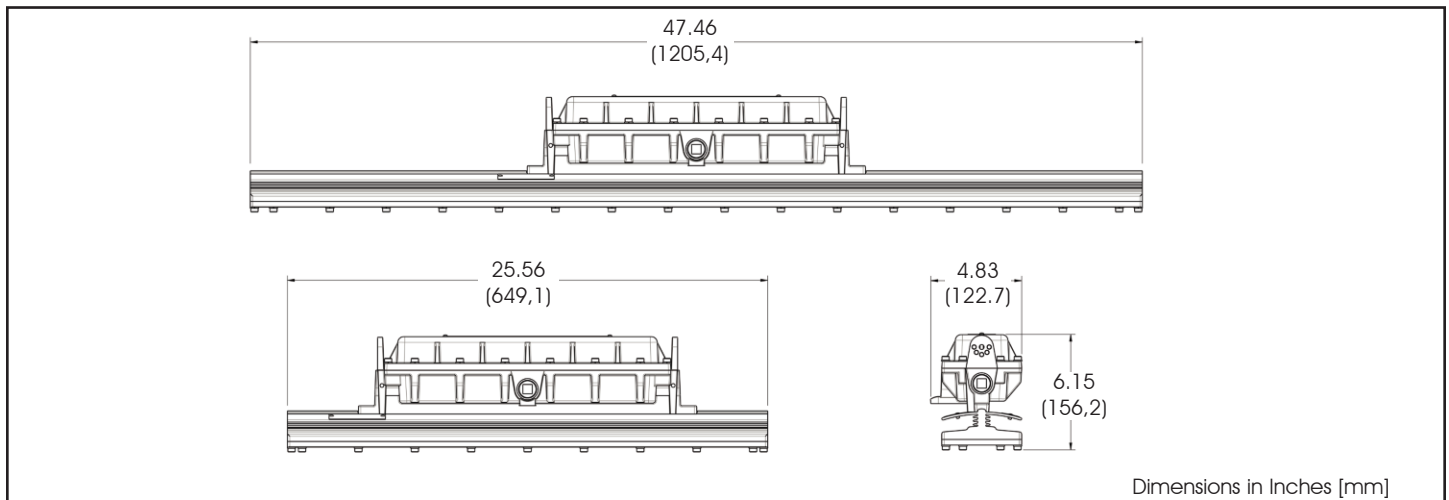
<b>THD:</b>	< 15%
<b>Power Factor:</b>	> 0.95

### Construction:

<b>Body:</b>	Powder Coated Aluminum
<b>Lens:</b>	Glass

### Photometric Information:

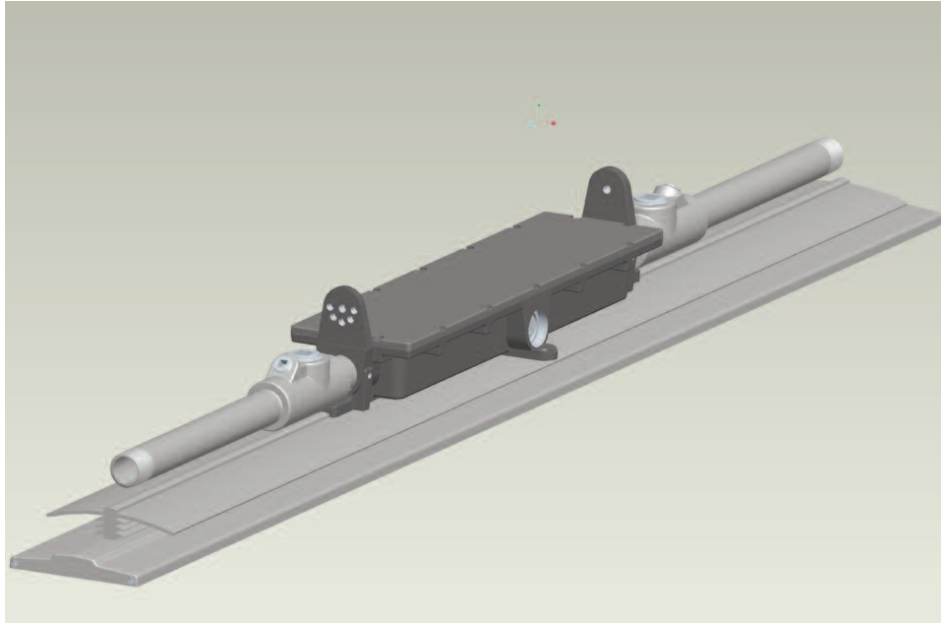
<b>CRI:</b>	> 70
<b>CCT:</b>	5500-6500K (cool white)
<b>IES Files:</b>	Available upon request



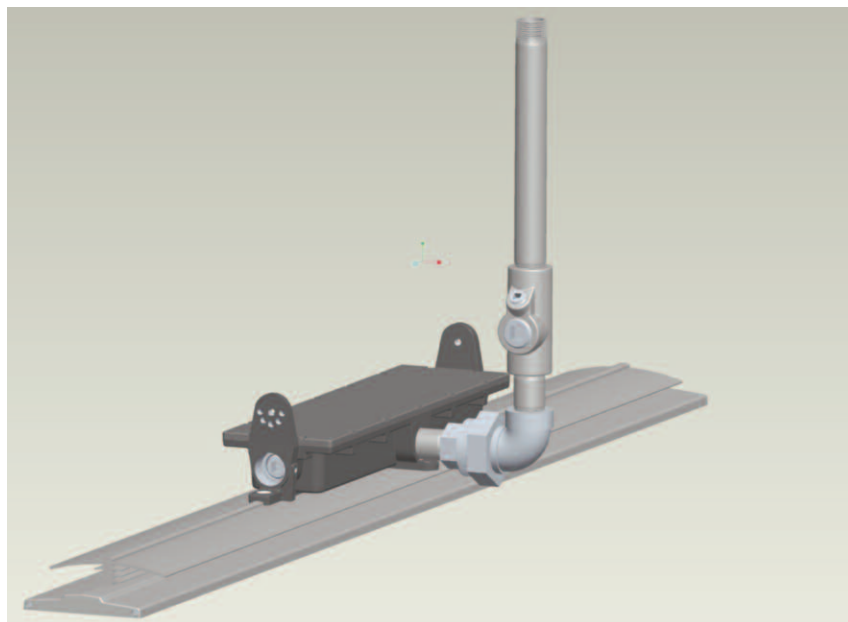
Dimensions in Inches [mm]

# SafeSite® Series Linear Mounting Options

In-line Conduit Mount



Overhead Conduit Mount 4'



Dialight reserves the right to make changes at any time in order to supply the best product possible.  
The most current version of this document will always be available at:  
[www.dialight.com/Assets/Brochures\\_And\\_Catalogs/Illumination/MDTFSFSHZLX001.pdf](http://www.dialight.com/Assets/Brochures_And_Catalogs/Illumination/MDTFSFSHZLX001.pdf)

MDTFSFSHZLX001\_A