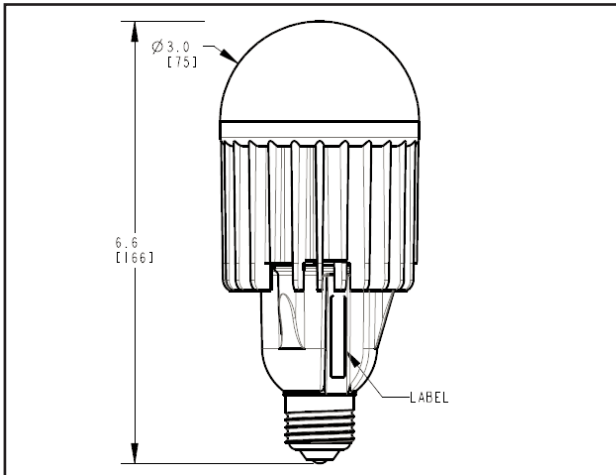




## DuroSite™ Series E26 LED Lamp



### Certifications & Ratings (pending):

- ▷ UL listing (pending)

### Features & Benefits:

- ▷ Aluminum heat sink, shatterproof Lens
- ▷ No warm-up time, instant on with full light output and stable color
- ▷ Weather/corrosion resistant lamp assembly and housing
- ▷ Resistant to shock and vibration
- ▷ 5 year warranty
- ▷ 70% lumen maintenance over 60,000 operating hours

### Ordering Info:

Part Number	Color	Lens
EL4N4DWW	Neutral White	Frosted
EL4N4ECW	Neutral White	Clear
EL4B4CBB	Blue	Frosted
EL4B4CCB	Blue	Clear

### Application:

Dialight introduces the DuroSite™ Series E26 LED Lamp as a robust replacement for halogen, incandescent and compact fluorescent (CFL) light bulbs. Easy to install into a standard socket, Dialight's DuroSite E26 LED Lamp is designed for rugged applications demanding long-life, resistant to shock and vibration and has exceptional fixture reliability.

### Mechanical Information:

**Weight:** 0.875lb (0.397kg)  
**Mounting:** E26, E27 (Medium)  
 6.5" x 3.0" (165mm x 76mm)

### Electrical specifications:

**Operating Voltage:** 120-277VAC (+10/-30%)

**Dimmable:** Non-dimmable

**Power Consumption:** 9.5W (nom) White  
 10W (nom) Blue

**THD:** < 20%

**Power Factor:** > 0.9

**Electromagnetic Interference:** FCC Title 47, sub part B, section 15, Class A

### Material:

**Housing:** Diecast powder coated aluminum  
 (White or Blue)

**Lens:** Polycarbonate lens (Clear or Frosted)

**Plastic components:** UL94-V0 rated (Flame Retardant Plastic)

### Photometric Information:

**Luminous Flux (typ):** EL4N4DWW - 500 lm  
 EL4B4CBB - 45 lm  
 EL4N4ECW - 580 lm  
 EL4B4CCB - 82 lm

**CCT (typ):** EL4N4DWW - 3500K  
 EL4N4ECW - 4000K

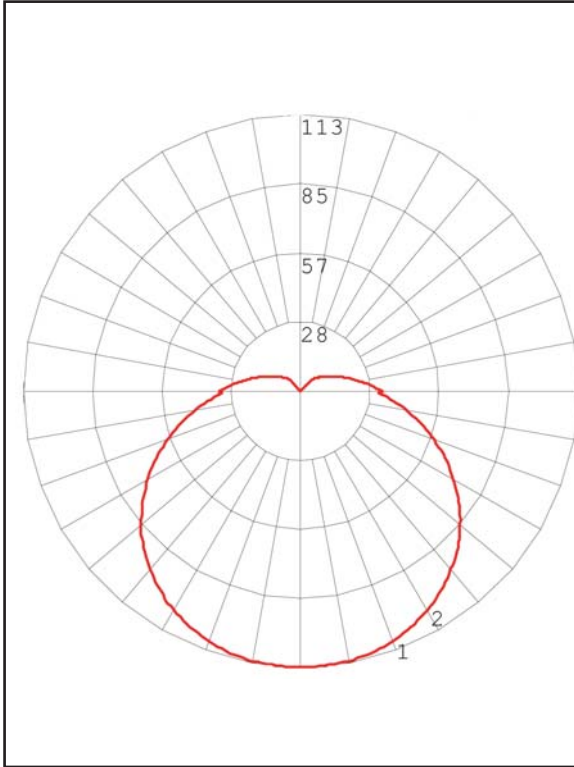
**CRI (typ):** 75

**Beam Angle:** 120°

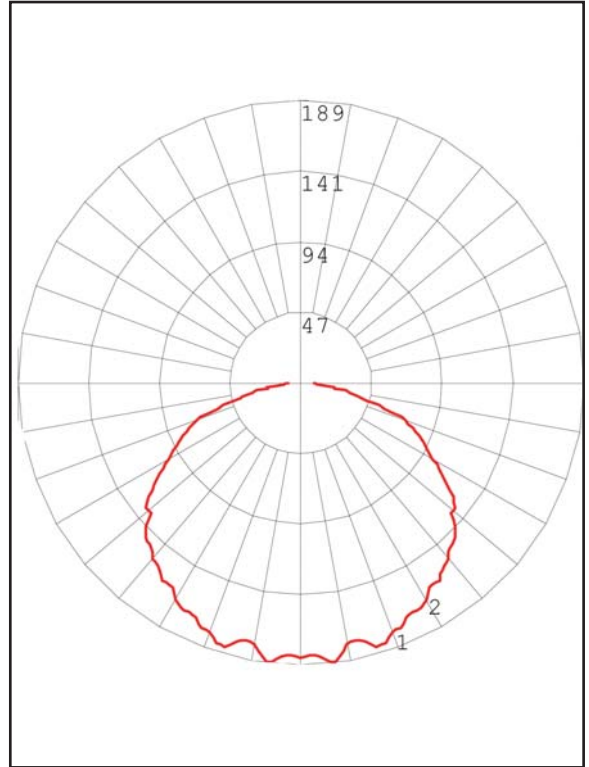
# DuroSite™ Series E26 LED Lamp

## Preliminary Light Measurement Data

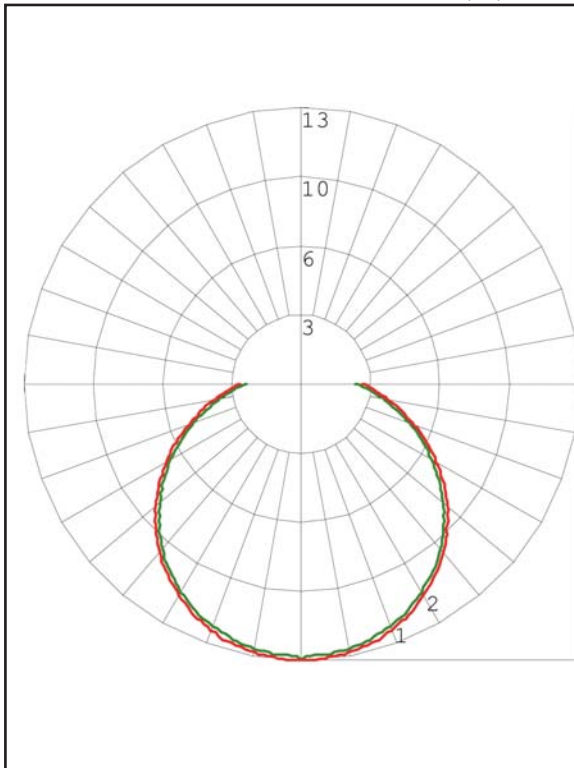
EL4N4DWW Intensity Distribution Curve (cd)



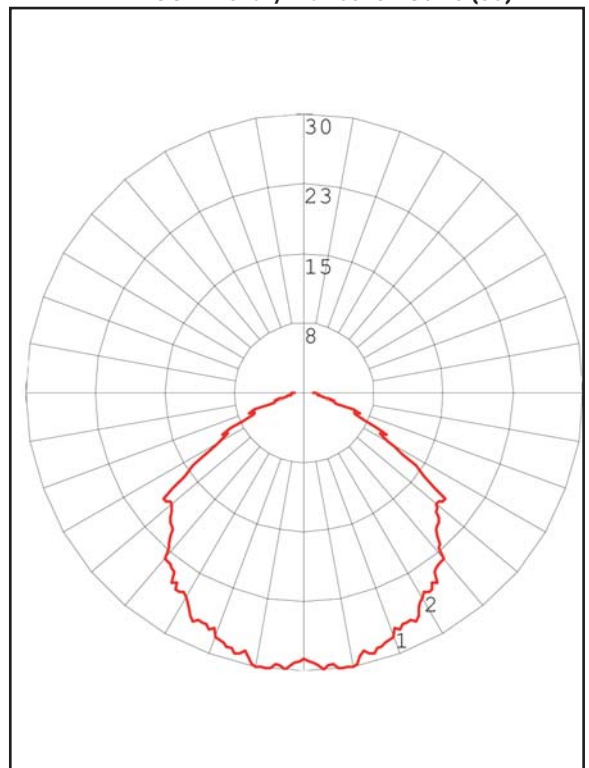
EL4N4ECW Intensity Distribution Curve (cd)



EL4B4CBB Intensity Distribution Curve (cd)



EL4B4CCB Intensity Distribution Curve (cd)



Dialight reserves the right to make changes at any time in order to supply the best product possible.  
 The most current version of this document will always be available at:  
[www.dialight.com/Assets/Brochures\\_And\\_Catalogs/Illumination/MDEXELX001.pdf](http://www.dialight.com/Assets/Brochures_And_Catalogs/Illumination/MDEXELX001.pdf)

MDEXELX001\_B