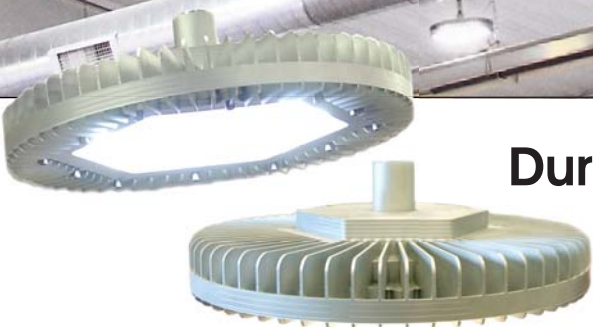




DuroSite™ Series LED High Bay Brochure
for Industrial & Commercial Applications



DuroSite™ Series LED High Bay



Features & Benefits

- ▷ 80% lumen maintenance after 60,000 hours
- ▷ Up to 79lm/w
- ▷ Significant energy savings
- ▷ Instant on/off
- ▷ Maintenance free
- ▷ Mercury free
- ▷ Superior light quality
- ▷ Dark Sky Compliant
- ▷ No heat or UV
- ▷ Simple installation
- ▷ Universal input (100 -277), 50/60Hz
- ▷ Resistant to shock and vibration
- ▷ Temperature compensation technology for long life
- ▷ Copper free aluminum

*DuroSite Series LED High Bay Fixture Competitive Analysis (less than 1 year payback period)

Fixture Type	Dialight DuroSite Series LED High Bay (150W)	(6) T5HO Fluorescent (324W)	Metal Halide (400W)	High Pressure Sodium (400W)
Total System Wattage	150W	389W	480W	480W
Avg. Lamp Life	60,000	30,000	20,000	24,000
Dialight fixture savings comparison				
Annual Energy Savings Using Durosite™ 150W High Bay		\$13,500	\$18,771	\$18,771
Lifetime Relamp & Maintenance Savings		\$19,706	\$29,559	\$29,559
Annual kWh Savings		123,486 kWh	170,646 kWh	170,646 kWh
Annual CO₂ Emission Reduction (in tons)		106	146	146

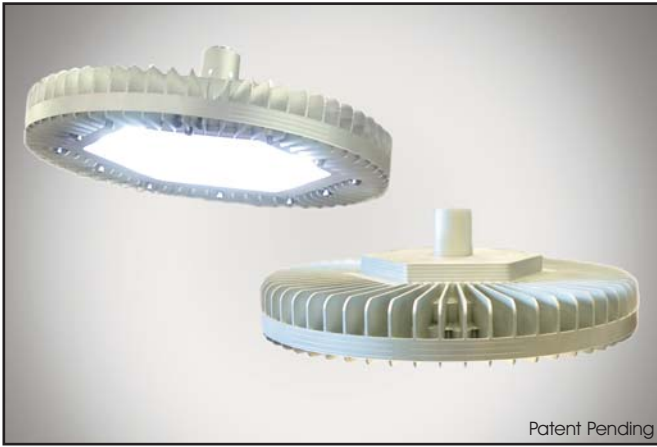
*All figures are typical and based on calculations provided by the United States Department of Energy

Based on a warehouse installation of 59 units. The full case study is available online at: http://www.dialight.com/News/Details/frontline_case_study

Typical Applications

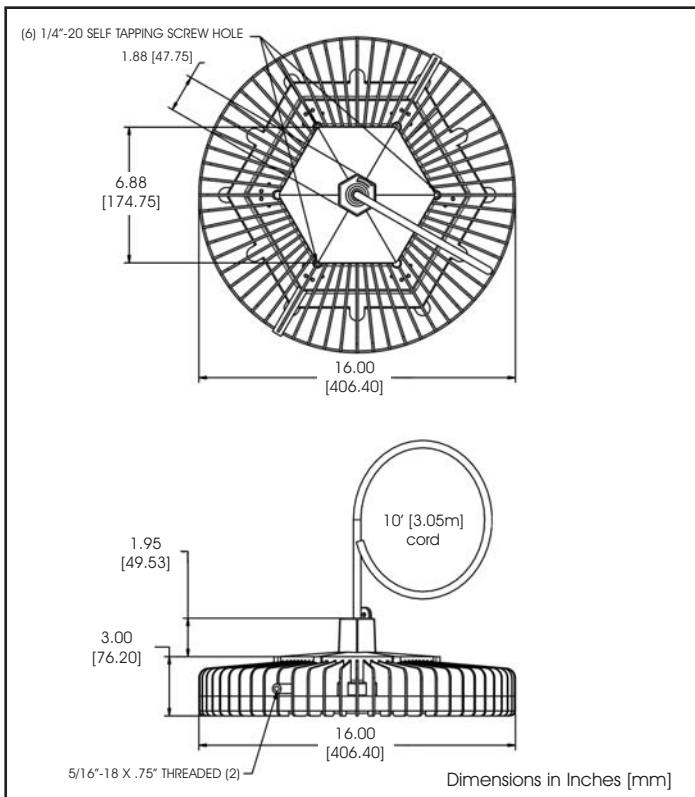
- ▷ Warehouse
- ▷ Manufacturing
- ▷ Cold Storage
- ▷ Canopy
- ▷ Gymnasium
- ▷ Tunnels





Patent Pending

DuroSite™ Series LED High Bay Fixture



Application:

First to market, the Dialight HB series LED High Bay luminaire was designed specifically to replace conventional lighting in a wide variety of industrial applications; both indoor and outdoor. Its low profile light weight design and versatile mounting options make it ideal for many applications such as warehouse, garage, bridge, tunnel and general area lighting.

All of Dialight's long life LED luminaires are designed to meet the most demanding specification criteria while offering maximum energy savings, reduced maintenance costs, and a superior quality of light.

Mechanical Information:

Fixture Weight: 17 lbs (7.7 kg)
Mounting: (1) 3/4" NPT
 OR
 (2) 5/16"-18 x .75" UNC

Electrical specifications:

***Operating Voltage:** 100-277VAC, 50/60 Hz
 OR
 347-480VAC, 50/60 Hz
Total System Power Consumption: 150W
Operating Temp: -40°F to +149°F (-40°C to +65°C)

Harmonics: IEC 6100-3-2

Surge / Lightning Protection: 1 kV line to line
 2 kV line to ground

THD:
 < 5% (120VAC)
 < 10% (230/240VAC)
 < 12% (277VAC)
 < 15% (347-480VAC)

Power Factor:
 > 0.9 (100-277VAC)
 > 0.95 (347-480VAC)

Construction:

Body: Powder Coated Aluminum
Lens: Acrylic (UL1598 Dry Location versions)
 Polycarbonate (UL1598A versions)

Photometric Information:

CRI (typ): 70
CCT (typ): 6000K (cool white)

Ordering Info:

*Part Number	**Certifications			Lens		Optical Pattern		Initial Fixture Lumens	Lumens Per Watt
	UL-1598 Dry Location (Acrylic Lens)	UL-1598A Marine Wet Locations (Polycarbonate Lens)	NEMA 4X	Clear	Diffused	Circular	Oval		
HB1C4N	X			X		X		11,800	79
HB6C4M	X			X			X	11,600	77
HB5C4M	X				X	X		10,800	72
HB1C4J	X			X		X		11,100	74
HB5C4J	X				X			10,500	70
HB3C4G	X				X	X		7,700	51
HB2C4M		X	X	X		X		11,000	73
HB7C4M		X	X	X			X	10,900	73
HB2C4K		X	X	X		X		10,400	69
HB4C4F		X	X		X	X		7,600	51

*Part numbers listed in the table above are 100-277VAC.

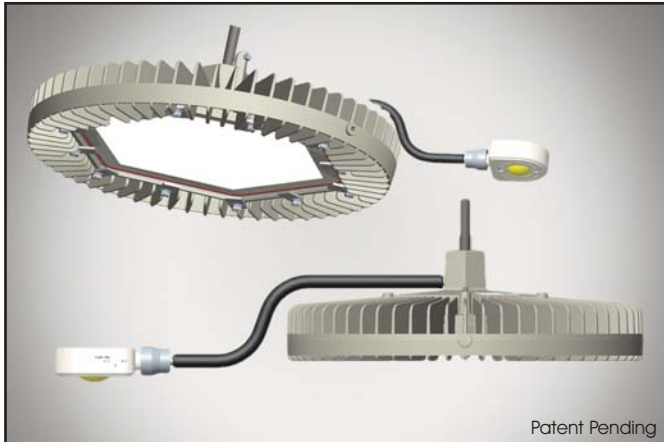
For 347-480VAC version replace the 5th character with 5. As an example HB1C4N (100-277VAC) becomes HB1C5N (347-480VAC).

**All units are IP-66, CSA 22.2 #250, and CE Certified.

DuroSite™ Series LED High Bay Fixture

Options and Accessories

Occupancy Sensor Version



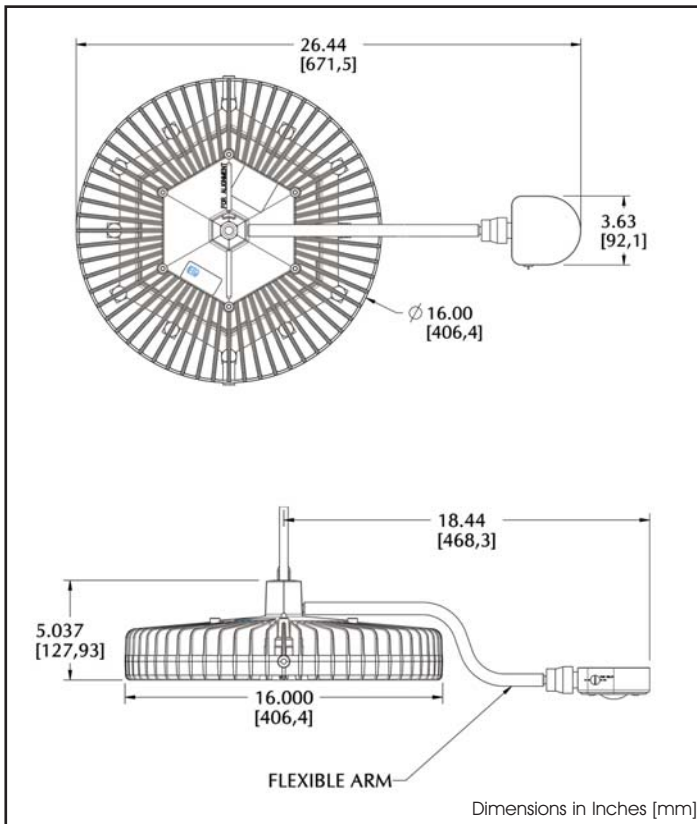
Application:

Dialight offers a series of High Bay products with an attached occupancy sensor. The occupancy sensor leverages the High Bay's instant-on and instant-off capability to increase energy savings and enhance ROI. Other industrial lighting sources such as Metal Halide and Sodium Vapor lamps do not offer instant-on capability.

Weight:	19lbs (8.6kg)
Sensor Mounting:	Attached to the base of the neck using a semi-rigid flexible conduit
Occupancy Sensor:	Leviton OSFHU -1 TW
Sensor Timing:	30 seconds to 20 minutes
Sensor Lens Options:	Narrow lens with a white trim ring Wide lens with a blue trim ring Oval lens with a black trim ring
Operating Temperature	-14°F to +149°F (-10°C to +65°C)

Features and Benefits

- ▷ No additional electrical connections required for installation
- ▷ Flexible conduit permitting the positioning of the occupancy sensor for optimal coverage
- ▷ Interchangeable sensor lens for high bay, low bay, or aisle applications



Ordering Info:

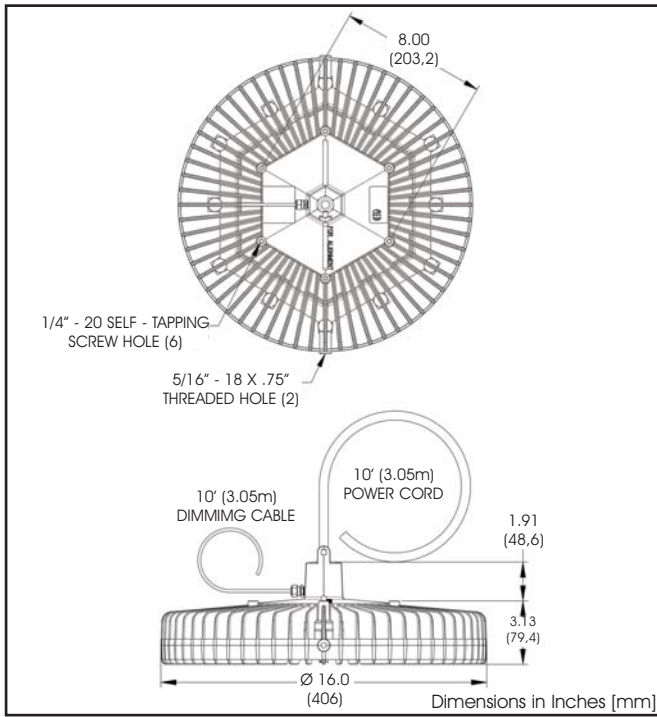
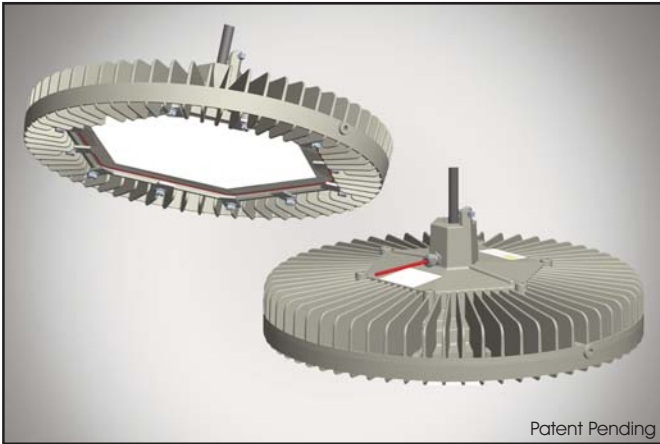
Part Number	*Certifications	Lens		Optical Pattern		Initial Fixture Lumens	Lumens Per Watt
	UL-1598 Dry Location (Acrylic Lens)	Clear	Diffused	Circular	Oval		
HB1C4T	X	X		X		11,800	79
HB6C4T	X	X			X	11,600	77
HB5C4T	X		X	X		10,800	72
HB1C4S	X	X		X		11,100	74
HB5C4S	X		X	X		10,500	70
HB3C4R	X		X	X		7,700	51

*All units are CSA 22.2 #250, and CE Certified

DuroSite™ Series LED High Bay Fixture

Options and Accessories

Variable Dimming Version



Application:

Dialight offers a series of High Bay products with ACTIVE Dimming. Dimming permits the user to select a specific light output and power consumption to meet their requirements. The reduction in light output and power consumption are approximately proportional. Reducing the light output by 50% will reduce the power consumption by 50%. LEDs are particularly well suited for dimming as compared to other industrial light sources.

Electrical Interfaces :

Variable Dimming Cable	Two conductor cable
Power Cable	Three conductor cable
Dimming Cable Position	Side of the neck through a cable gland
Variable Dimming Control:	0-10 VDC active
Dimming Range:	10 VDC = 100% light output 0 VDC = 15% light output

Features and Benefits

- ▷ 10' plenum rated dimming control cable pre-installed
- ▷ Dimming cabling independent of fixture wiring
- ▷ Multiple High Bays can be connected to the same dimmer
- ▷ May also be configured to operate in a single STEP Dimming configuration

STEP Dimming Mode:

The variable dimming High Bays may also be configured to operate in a single STEP Dimming configuration. When the dimming control conductors are shorted together, the light output will be reduced to approximately 15% of the maximum light output. The total fixture power consumption will also be reduced to approximately 15% (22.5 W). Shorting the leads together can be accomplished with a common wall switch.

Ordering Info:

Part Number	*Certifications			Lens		Optical Pattern		Initial Fixture Lumens		Total Fixture Power Consumption		Lumens per Watt
	UL-1598 Dry Location (Acrylic Lens)	UL-1598A Marine Wet Locations (Polycarbonate Lens)	NEMA 4X	Clear	Diffused	Circular	Oval	Min	Max	Min	Max	
HB1C4Y	X			X		X		1,800	11,800	22.5 W	150 W	79
HB6C4Y	X			X			X	1,700	11,600			77
HB5C4Y	X				X	X		1,600	10,800			72
HB1C4X	X			X		X		1,700	11,100			74
HB5C4X	X				X			1,600	10,500			70
HB3C4W	X				X	X		1,200	7,700			51
HB2C4Y		X	X	X		X		1,700	11,000			73
HB7C4Y		X	X	X			X	1,600	10,900			73
HB2C4X		X	X	X		X		1,500	10,400			69
HB4C4W		X	X		X	X		1,100	7,600			51

*All units are IP-66 Rated, CSA 22.2 #250, and CE Certified

DuroSite™ Series LED High Bay Fixture

Options and Accessories

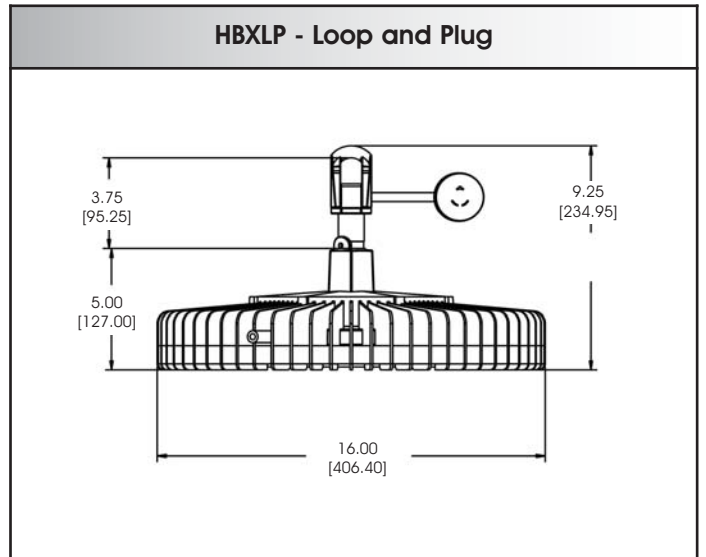
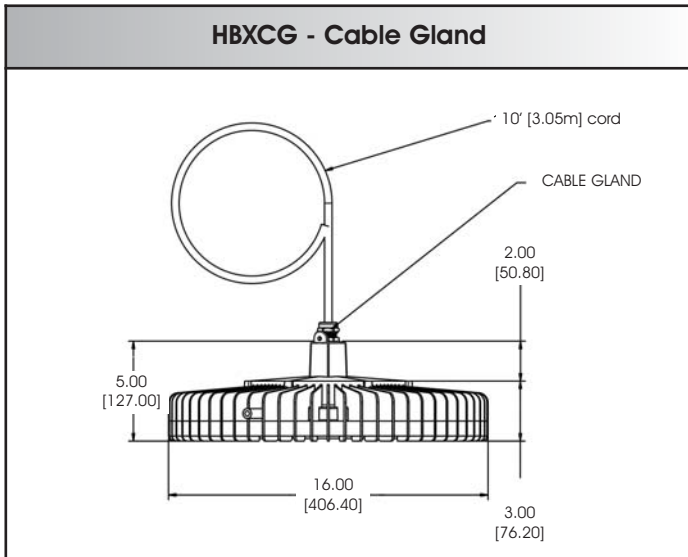
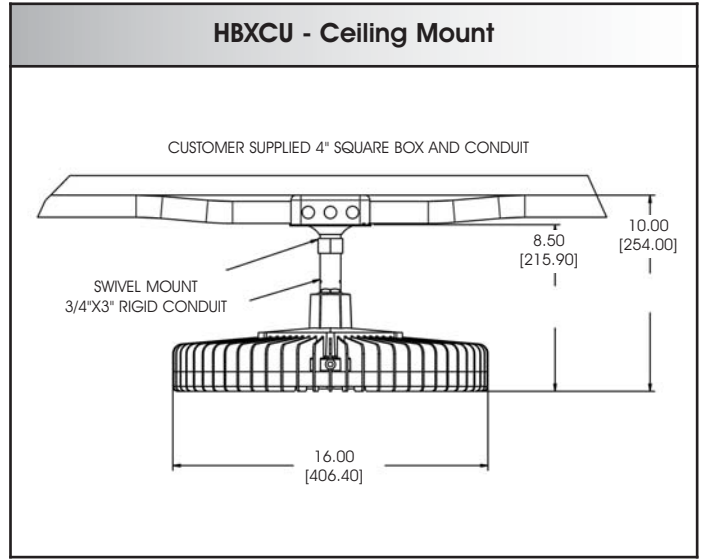
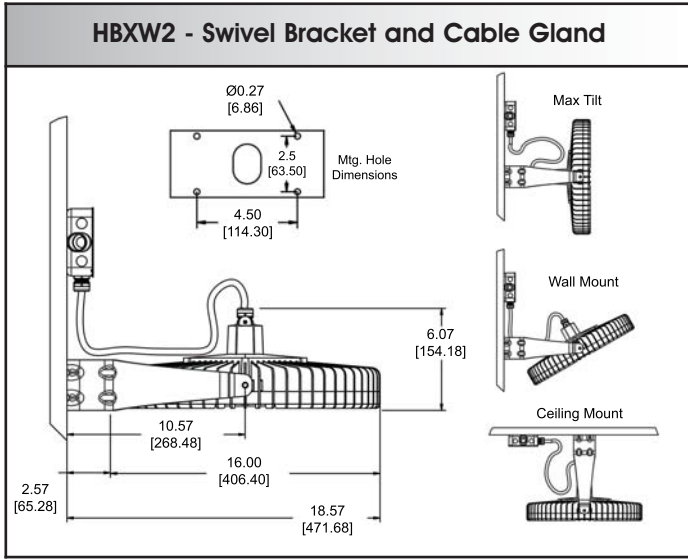
Mounting Options

	Part Number	Description	Kit Includes	UL1598	UL1598A
	No Part Number	Pendant Mount (Conduit supplied by installer)	Conduit supplied by installer	X	X
	HBXW2	Swivel Bracket and Cable Gland	Swivel Bracket Bracket to fixture hardware Cable Gland	X	X
	HBXCU	Ceiling Mount	Swivel Hanger Cover 3" Conduit Nipple	X	
	HBXCG	Cable Gland	Cable Gland	X	X
	HBXLP	Loop and Plug	Hanger Loop 277/480 Twist Lock Plug	X	
	HBXHP	Hook and Plug	Hanger Hook 277/480 Twist Lock Plug	X	
	HBXB1	Power Box Pendant Mount 277VAC	Pendant mount 277VAC	X	
	HBXB3	Power Box Pendant Mount 480VAC	Pendant mount 480VAC	X	
	HBXB2	Power Box Ceiling Mount 277VAC	Ceiling mount 277VAC	X	
	HBXB4	Power Box Ceiling Mount 480VAC	Ceiling mount 480VAC	X	
	HBXT2	Junction Box with Transformer 347- 480VAC to 240VAC	NEMA Box with Integrated Transformer	X	X
	HBXP2	Adapter to circular 2" (OD) pole	Pole adapter and set screws	X	X

DuroSite™ Series LED High Bay Fixture

Options and Accessories

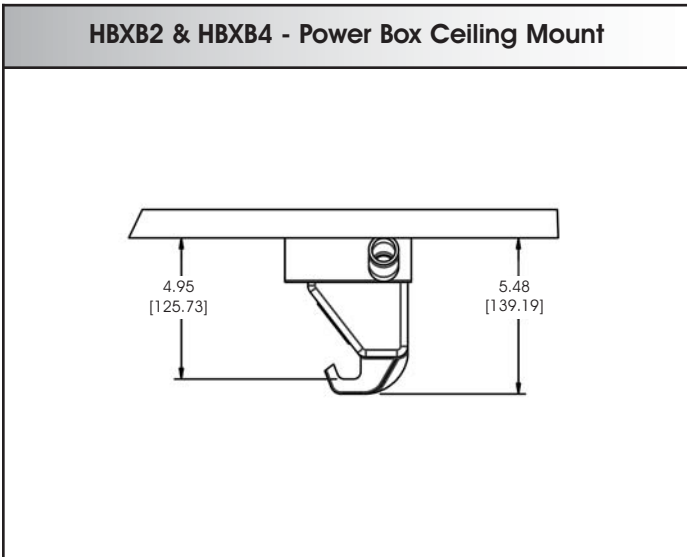
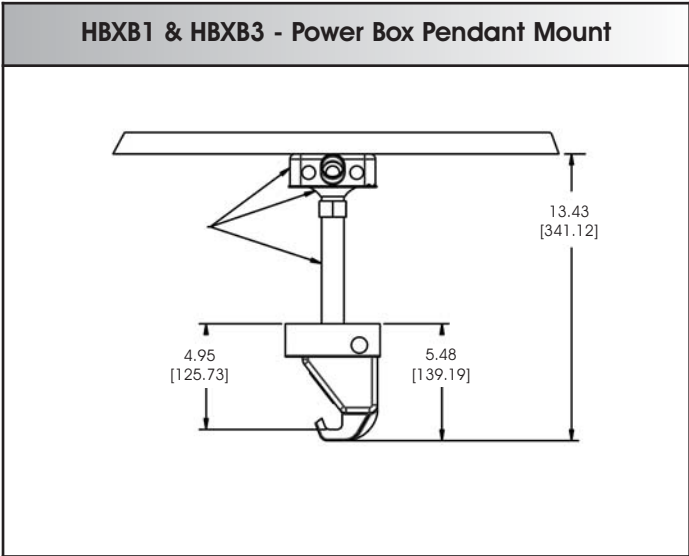
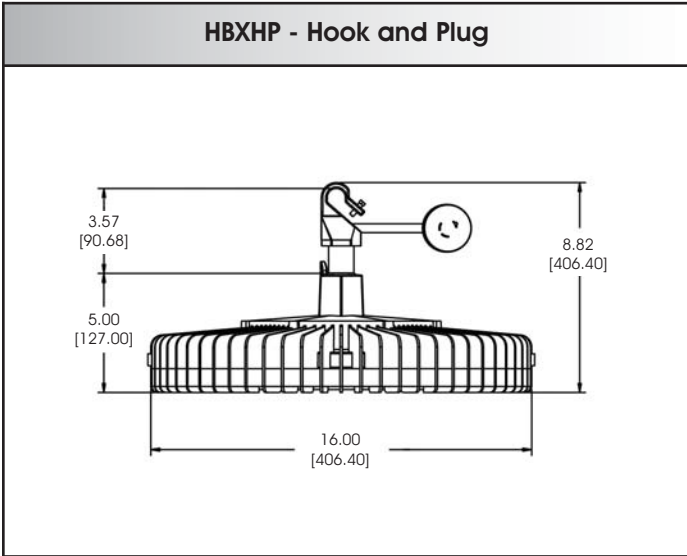
Mounting Options



DuroSite™ Series LED High Bay Fixture

Options and Accessories

Mounting Options



Dialight reserves the right to make changes at any time in order to supply the best product possible.
 The most current version of this document will always be available at:
www.dialight.com/Assets/Brochures_And_Catalogs/Illumination/MDEXHBX001.pdf

MDEXHBX001_C